

MultiSec

120 minutes document protection
and £10,000 cash rating (Grade I)



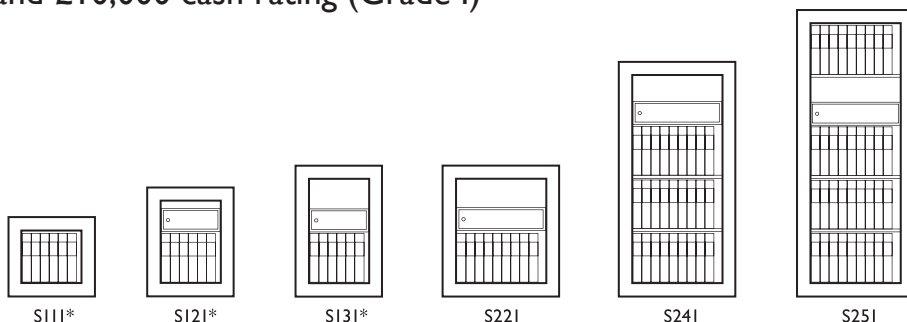
Model above is
S241



Users would often like to store documents and cash in the same safe or cabinet. With the Rosengrens MultiSec, you have the only product which serves for both purposes. This graded burglary resistant safe offers 120 minutes fire protection, high security locking and an extensive interior. The interior can be customised with a wide range of fittings (e.g. lockable cupboard and file-frame) and locking options. On a special note, the safe can be customised with a datamedia insert to allow datamedia protection. Such overwhelming quality has led to the MultiSec being the preferred choice for customers wanting a large multipurpose safe...

MultiSec




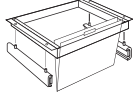
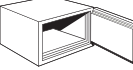
120 minutes document protection
and £10,000 cash rating (Grade I)



* Only in class 60 Paper

Product data												
Model MultiSec Grade I	Ext Dimensions (mm)			Int Dimensions (mm)			Weight (kgs)	Vol. (lit)	No. of DIN binders**	Fittings Supplied	Cash Rating	Fire Rating
	Height	Width	Depth*	Height	Width	Depth						
S111	530	565	560	335	367	295	160	36	4	Empty	£10,000	60
S121	730	565	560	535	367	295	200	58	4	Empty	£10,000	60
S131	880	565	560	685	367	295	235	74	8	Empty	£10,000	60
S221	880	780	620	685	582	355	320	142	14	Empty	£10,000	120
S241	1580	780	620	1385	582	355	520	286	28	Empty	£10,000	120
S251	1930	780	620	1735	582	355	620	358	35	Empty	£10,000	120

*Projection of handle is 65mm **Width 75mm

Interior fittings	
	Fixed shelf For S111–S131 Size 17x356x290 For S251 Size 17x571x345
	Lockable compartment For S111–S131 Size 175x356x290 For S251 Size 175x571x345
	Extensible shelf For S221–S251 Size 50x475x345
	Extensible file frame For S221–S251 Size 75x475x355
	Data media insert 120 Diskette For S221–S251 Int. size 200x385x235 Ext. size 330x500x350 Volume litre: 11

Fire protection: Rosengrens MultiSec cabinets have been tested and certified by SP (Swedish National Testing and Research Institute) according to the Scandinavian norm NT Fire 017 to class 60 and 120 Paper. This means that the cabinets will withstand a fire for 60 and 120 minutes respectively.

Burglary protection: The MultiSec cabinets also provide burglary protection and are tested and certified to European standard EN 1143-1 in security Grade I.

Locks: As standard the MultiSec range is fitted with Rosengrens resettable RKL-10 key lock. Alternative locking includes electronic or dual locking options.

Design: The design is functional and elegant and the cabinets blend in well in most environments with its light colour scheme.

Quality and environmental management systems: The Rosengrens MultiSec cabinets are all manufactured in accordance with the ISO 9001 quality management system and the ISO 14001 environmental management system.

Rosengrens Product Guidelines: The construction of MultiSec has been tested and approved to the Rosengrens Product Guidelines which are based on all relevant European norms. The aim is to verify the user-friendliness, safety and product lifetime, thereby assuring customers that our products live up to the highest expectations.

Gunnebo UK Limited
PO Box 61
Woden Road
Wolverhampton
WV10 0BY
United Kingdom
Phone: +44 (0) 1902 455111
Fax: +44 (0) 1902 351961
marketing@gunnebo.com
www.gunnebo.com

 **ROSENGRENS**
We stand by you