

# MultiDoc

up to 120 minutes document protection



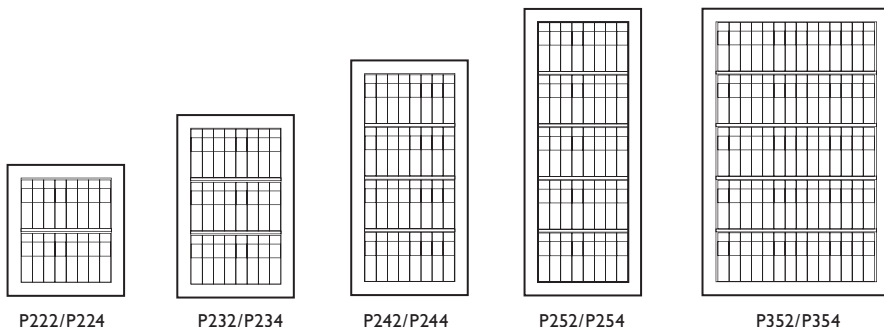
Model above is  
P352/354



Rosengrens MultiDoc is a complete range of fire-resistant document cabinets with a storage capacity for every need. The cabinets are available in five different sizes from the smallest cabinet with space for 16 binders to the largest cabinet with capacity for 70 binders. MultiDoc has a wide range of flexible interior fittings for efficient storage of documents and binders. The cabinets can also offer combined storage. By adding a special data insert you are able to store and protect data media such as CDs, DAT cassettes and DLT tapes in the cabinet. The whole MultiDoc range is tested and certified by SP to NT Fire 017 60P – 120P.

# MultiDoc

up to 120 minutes document protection



P222/P224

P232/P234

P242/P244

P252/P254


P352/P354


## Product data

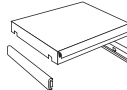
Model MultiDoc	Ext Dimensions (mm)			Int Dimensions (mm)			Weight (kgs)	Volume (lit)	Fire Rating	
	Height	Width	Depth*	Height	Width	Depth			60	120
P222 P224	880	780	620	700	600	440	235	185	60	120
P232 P234	1230	780	620	1050	600	440	310	277	60	120
P242 P244	1580	780	620	1400	600	440	380	370	60	120
P252 P254	1930	780	620	1750	600	440	455	462	60	120
P352 P354	1930	1260	620	1750	1080	440	635	832	60	120

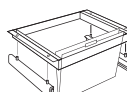
\* Projection of handle is 50mm


## Interior fittings

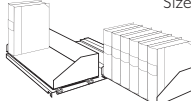
- 

**Fixed shelf**  
For P222–P254  
Size 17x594x432  
For P352/P354  
Size 17x1074x432
- 

**Lockable compartment**  
For P222–P254  
Size 175x594x415  
For P352/P354  
(double doors)  
Size 175x594x415
- 

**Extensible shelf**  
For P222–P254  
Size 50x567x430  
For P352/P354  
Size 50x1074x430
- 

**Extensible file frame Folio**  
For P222–P254  
Size 75x567x357  
For P352/P354  
Size 75x1074x357
- 

**Data media insert 60 Diskette**  
For P222–P352  
Int. size 250x456x219  
Ext. size 336x542x305  
Volume litre: 25
- 

**Extensible shelf for extra capacity**  
For P222–P254  
Size 155x594x410

**Fire protection:** Rosengrens MultiDoc cabinets have been tested and certified by SP (Swedish National Testing and Research Institute), according to the Scandinavian norm NT Fire 017 to class 60 Paper and 120 Paper. This means that the cabinets will withstand a fire for 60 or 120 minutes.

**Locks:** As standard the MultiDoc range is fitted with Rosengrens resettable RKL-10 key lock. Alternative locking includes electronic or dual locking options.

**Design:** The design is functional and elegant and the cabinets blend in well in most environments with its light colour scheme. The door has a slam action feature, which means that you have just to slam the door to obtain full fire protection.

**Quality and environmental management systems:** The Rosengrens MultiDoc cabinets are all manufactured in accordance with the ISO 9001 quality management system and the ISO 14001 environmental management system.

**Rosengrens Product Guidelines:** The construction of MultiDoc has been tested and approved to the Rosengrens Product Guidelines which are based on all relevant European norms. The aim is to verify the user-friendliness, safety and product lifetime, thereby assuring customers that our products live up to the highest expectations.

## Maximum storage capacity of DIN binders (75 mm)

Model MultiDoc	Standard		Extra*
	60	120	
P222 P224	16	20	20
P232 P234	24	30	30
P242 P244	32	40	40
P252 P254	40	50	50
P352 P354	70	N/A	N/A

\* For extensible shelf for extra capacity

Gunnebo UK Limited  
PO Box 61  
Woden Road  
Wolverhampton  
WV10 0BY  
United Kingdom  
Phone: +44 (0) 1902 455111  
Fax: +44 (0) 1902 351961  
marketing@gunnebo.com  
www.gunnebo.com

 **ROSENGRENS**  
We stand by you