

# Rosengrens Atlantic

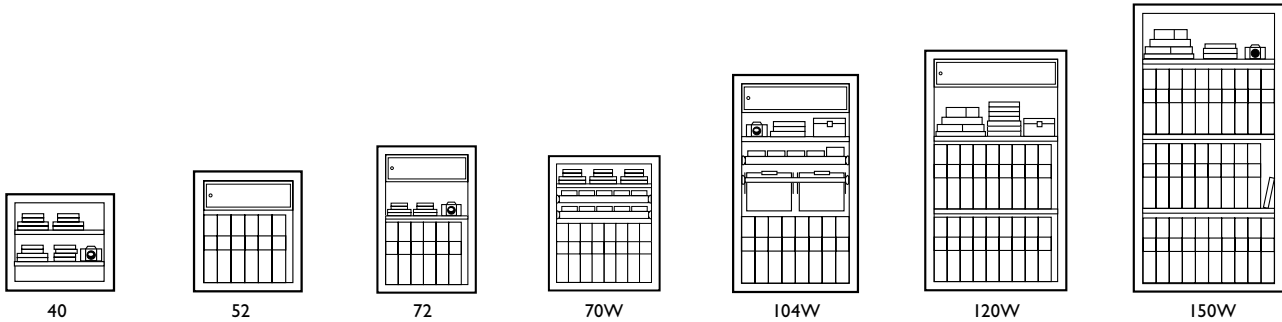
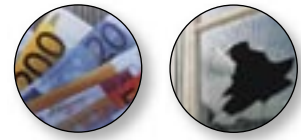
Burglary protection of valuables



Rosengrens Atlantic is a complete range of light weight cash safes with our new barrier material which makes the weight half of regular safes constructed with traditional technology. This low weight minimizes transport cost and simplifies the installation, even where floor loading could be a problem. The new material also results in thinner walls thereby providing the maximum usable volume. The safes are available in 7 sizes with a wide range of interior fittings and various deposit systems. As standard the safes are equipped with Rosengrens key lock RKL-10 and can as an option be delivered with Rosengrens new electronic lock REL. The Atlantic range is tested and certified to the European norm in Grade I-IV.

# Rosengrens Atlantic



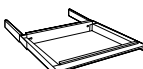
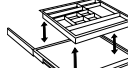

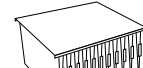
## Burglary protection of valuables



Product data									
Model	External dimensions (mm)			Internal dimensions (mm)			Weight (kgs)		Vol. (lit)
	Height	Width	Depth*	Height	Width	Depth	Grade I / II / III / IV		
40	495	555	400	405	460	230	163 / 182 / - / -	43	
52	615	555	490	525	460	320	225 / 251 / 267 / -	77	
72	815	555	490	725	460	320	285 / 328 / 335 / 395	107	
70W	790	655	571	700	560	401	360 / 415 / 450 / 525	157	
104W	1135	655	571	1045	560	401	434 / 482 / 529 / 620	235	
120W	1295	765	620	1205	670	450	580 / 661 / 695 / 820	363	
150W	1590	805	680	1500	710	510	- / - / 920 / 990	543	

\* Excl handle and lock

### Interior fittings

- 
**Fixed shelf max 50kg**  
 For 40  
 Size 10x450x210  
 For 52-72\*  
 Size 10x450x295  
 For 70W-104W\*  
 Size 10x550x376  
 For 120W\*  
 Size 10x660x425  
 For 150W\*\*  
 Size 10x702x481
- 
**Secrecy shelf**  
 For 52-72  
 Size 10x450x295  
 For 120W  
 Size 10x630x425
- 
**Extensible shelf**  
 For 52-72  
 Size 75x455x380  
 For 120W  
 Size 75x635x430
- 
**Extensible shelf with removable drawer**  
 For 52-72  
 Size 30x455x380  
 For 120W  
 Size 30x635x430
- 
**Extensible file frame**  
 For 70W-104W  
 Size 70x555x380  
 For 120W  
 Size 70x635x430
- 
**Shelf for lateral hanging files**  
 For 70W-104W  
 Size 260x550x376  
 For 120W  
 Size 260x630x425

\* Also available reinforced, max 120 kg  
 \*\* Only available reinforced, max 120 kg

**Burglary protection:** The Atlantic cash safes are tested according to the European norm EN 1143-1 and certified by ECB·S in Grades I-IV.

**Deposit systems:** The Atlantic cash safes can be supplied with various deposit systems. These systems can be both external and internal. The external deposit is integrated on top of the safe and the deposits are made into a lockable compartment in the safe. The internal deposit is by means of a slot in a lockable compartment.

**Locks:** The Atlantic range is delivered with Rosengrens resettable key lock RKL-10 as standard. As an option Rosengrens new electronic lock REL can be delivered. Dual locking is also available as an option.


**Design:** Atlantic has a functional, ergonomic and modern design in off-white. All models are prepared for powerful anchoring to the floor.

**Quality and environmental management systems:** The Rosengrens Atlantic cash safes are all manufactured in accordance with the ISO 9001 quality management system and the ISO 14001 environmental management system.


**Rosengrens Product Guidelines:** The construction of the Atlantic range has been tested and approved to the Rosengrens Product Guidelines which are based on all relevant European norms. The aim is to verify the user friendliness, safety and product lifetime, thereby assuring customers that our products live up to the highest expectations.

### Interior fittings

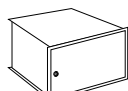
**Lockable compartments**



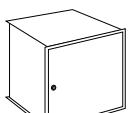
**Int. height 150mm**  
For 52-72  
Size 145x393x256



**Int. height 200mm**  
For 70W-104W  
Size 195x493x337  
For 120W  
Size 195x603x386



**Int. height 300mm\*\*\***  
For 52-72  
Size 295x393x256



**Int. height 400mm\*\*\***  
For 120W-150W  
Size 395x603x386

\*\*\* Also available with deposit slot

**Rosengrens Tann**  
 A trading division of Gunnebo UK Ltd  
 PO Box 61  
 Woden Road  
 Wolverhampton  
 United Kingdom  
 Tel: 0870 607 0076 Email: marketing@gunnebouk.com  
 Fax: 01902 459314 Website: www.rosengrens.co.uk

Member of the Gunnebo security group